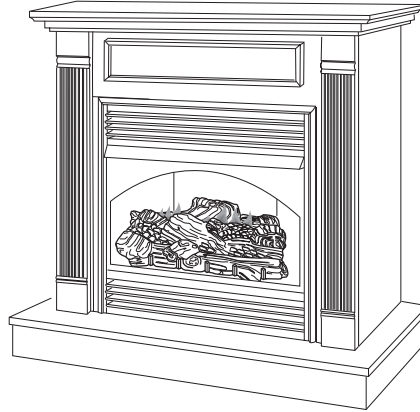




# W36AUA AND GMC55FA WALL MANTEL AND BASE WITH PERIMETER TRIM

## ASSEMBLY AND INSTALLATION INSTRUCTIONS



**IMPORTANT:** Read entire instruction sheet before assembling or installing mantel kit.

**These mantels are only approved for use with any DESA Heating Products 36" fireplace system. Do not use mantel with any other product.**

This mantel kit contains the following:

- Mantel pieces - unassembled and marked as follows:
    - #1 Base
    - #2 Right Side with arrow
    - #3 Right Front Leg with arrow
    - #4 Left Side with arrow
    - #5 Left Front Leg with arrow
    - #6 Header with arrow
    - #7 Top
    - #8 Header Assembly Blocks (2)
  - Perimeter Trim Kit (for Gas Fireplace) PT36
  - Hardware Kit\*

16 - Metal Brackets	118937-01
32 - Screws M6 x 12 mm (1/2")	121149-01
14 - Screws M6 x 30 mm (1 1/4")	121335-01
14 - Washers M6	121336-01
1 - Allen Wrench	121337-01
- \* Extra hardware may be included.

If any wood pieces are missing or damaged, contact the dealer where you purchased this mantel for replacement. If hardware or trim is missing or damaged, contact DESA Heating Products at 1-866-672-6040 for referral. You can also visit DESA Heating Products' technical service web site at [www.desatech.com](http://www.desatech.com).

**⚠ WARNING: Follow guidelines of paint or finish manufacturer. Use care when finishing or painting an unfinished mantel (W36AUA only). Do not finish or paint mantel pieces near running heater or open flame. These vapors are highly flammable.**

**IMPORTANT:** If you are staining an unfinished mantel (W36AUA only), remove any sawdust, dirt or oils. This will prevent blemishes from appearing under the stain. Stain mantel before assembling according to manufacturer's instructions. Apply sanding sealer.

**IMPORTANT:** If you are painting an unfinished mantel (W36AUA only), assemble mantel before painting. Follow directions listed on paint for wood products. Apply base coat and top coat following directions listed on product.

*Note:* Gather all mantel pieces together before assembling.

### ASSEMBLING MANTEL

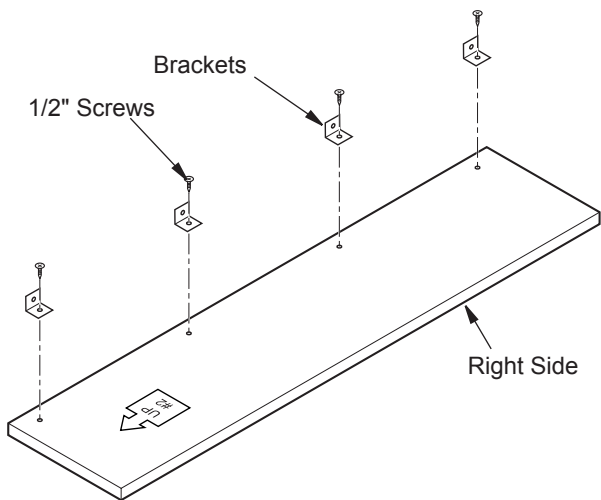
**⚠ WARNING: Use only 1/2" screws to attach metal angle brackets. Damage to mantel will result if other screws are used for this purpose.**

**IMPORTANT: More than one person is required to lift assembled mantel. Lift mantel by leg assemblies. Lifting by header or mantel top could damage mantel.**

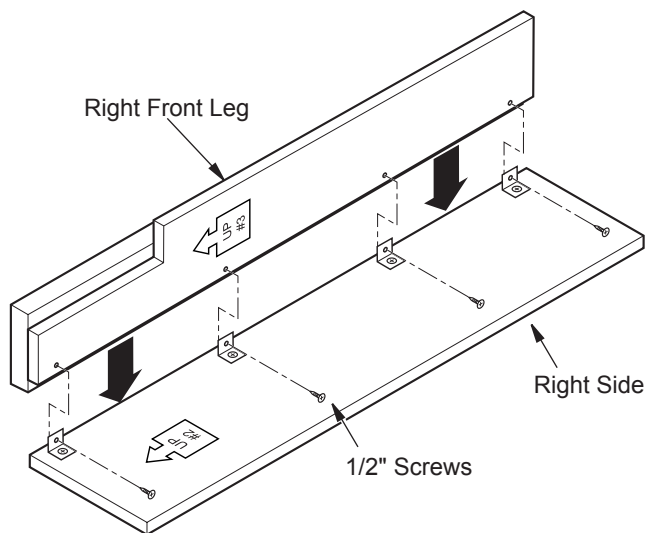
When assembling mantel do not tighten screws completely until told to do so. There should be some play in the pieces to allow for proper alignment and best possible fit. It is very important that more than one person assemble mantel. Panels must be held in proper alignment to each other while tightening screws to assure fewer gaps and proper surface alignment. When tightening screws, do not over tighten. This may cause threads to strip. The supplied Allen wrench should be used rather than a power screwdriver. Panels have threaded inserts installed at screw locations. Screws should start and turn easily in threaded holes when assembled according to instructions. Do not force screws into holes.

**IMPORTANT:** There is a serial number label inside of right side panel and on outside package. When calling to request technical assistance or for replacement parts please have that number ready.

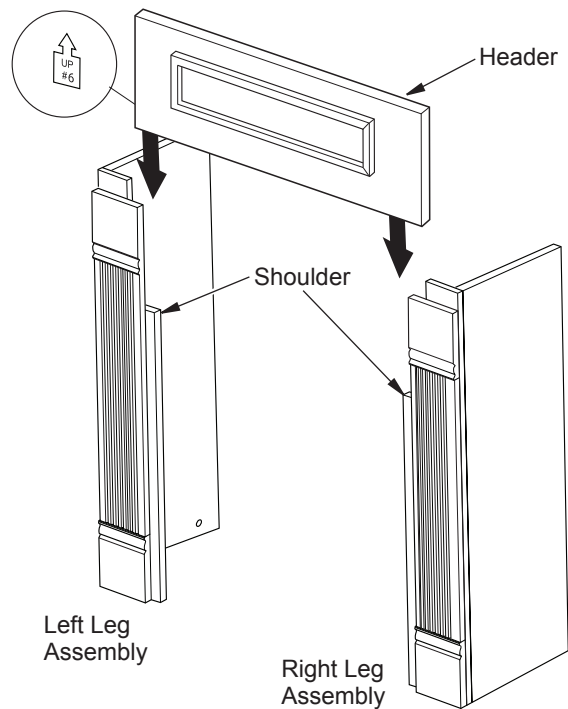
1. Lay right side panel (#2) face down on a soft surface to avoid marking finish. Attach four brackets with 1/2" screws to bottom of right front leg (#3) leaving screws slightly loose. Face brackets out (see Figure 1, page 2). Place right front leg (#3) over right side (#2) as shown in Figure 2, page 2, paying close attention to up arrows on panels. Align threaded holes with brackets on side. Start four 1/2" screws through brackets. Align bottom of side and leg assembly so they are flush with each other. Hold these pieces securely in alignment while tightening (but not over tightening) screws.
2. Assemble left side (#4) and left leg (#5) as described in step 1.
3. You may prefer to lay mantel face down on a soft surface instead of upright to position header. Position header (#6) between leg assemblies with direction arrow pointing up (see Figure 3). Attach header assembly blocks (#8) with 1 1/4" screws and washers (see Figure 4).



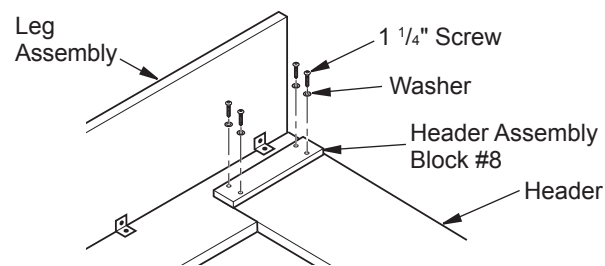
**Figure 1 - Attaching Brackets to Side**



**Figure 2 - Attaching Front Leg**



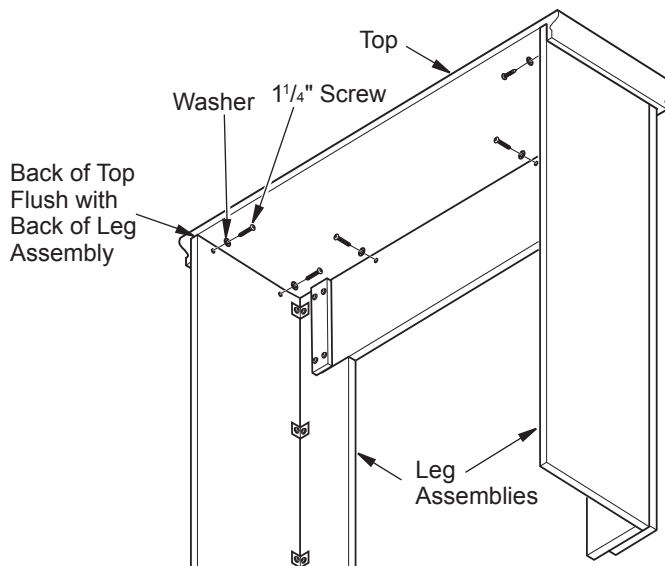
**Figure 3 - Installing Header**



**Figure 4 - Attaching Header to Leg Assembly**

**ATTACHING TOP OF MANTEL**

1. Place mantel top (#7) onto upright leg assembly (see Figure 5). Align back of top with back of sides.
2. Using six 1 1/4" screws with washers, attach top to header/leg assembly (see Figure 5).



**Figure 5 - Attaching Top to Leg and Header Assembly**

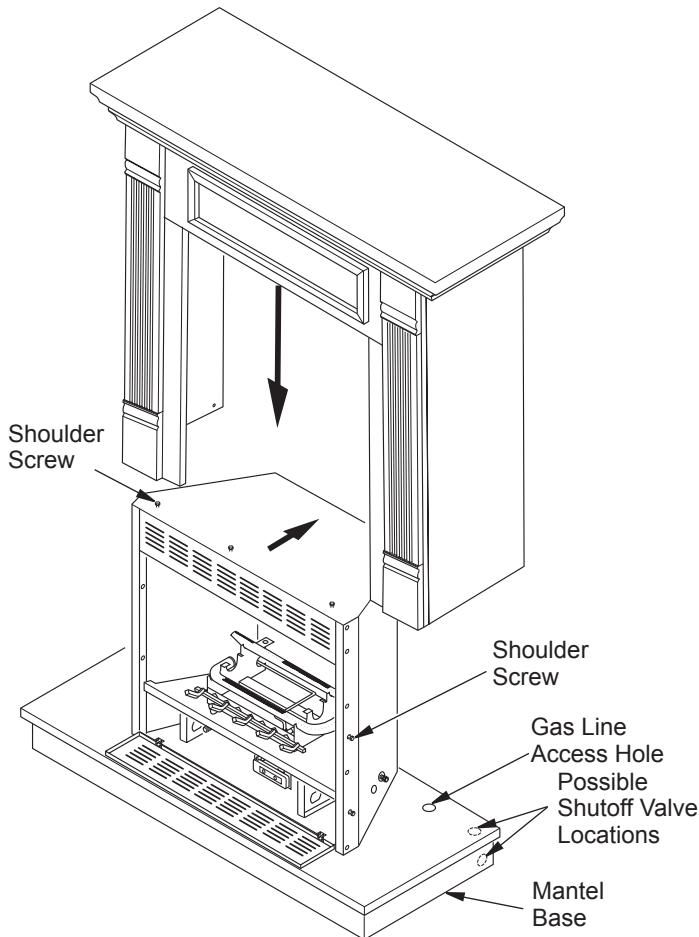
## FIREPLACE INSTALLATION

1. Fireplace should be fully assembled. See *Assembling Fireplace* in fireplace owner's manual.
2. Place mantel base close to installation location. See fireplace owner's manual for installation clearances. Leave enough room to get behind mantel once fireplace and mantel assembly have been attached to base if installing a fireplace with flange.
3. If installing gas fireplace, install gas line. See *Connecting to Gas Supply* in fireplace owner's manual. Remember to leave access to the gas shutoff valve somewhere on the base or where it is accessible to the user. Check for leaks. See *Checking Gas Connections* in fireplace owner's manual.

**IMPORTANT:** If your fireplace has a nailing flange see *Installing Fireplace with Flange*. If your fireplace does not have a nailing flange see *Installing Fireplace without Flange*, page 4.

### INSTALLING FIREPLACE WITH FLANGE

1. Position fireplace on base centering left to right. Carefully position gas lines. **IMPORTANT:** Use caution when positioning fireplace on base as base may scratch.
2. With assistance, carefully place mantel over fireplace (see Figure 6). Fireplace nailing flanges will be to inside of mantel. Align mantel over threaded holes in base. Make sure back of mantel is flush with back of mantel base. Adjust fireplace as necessary.

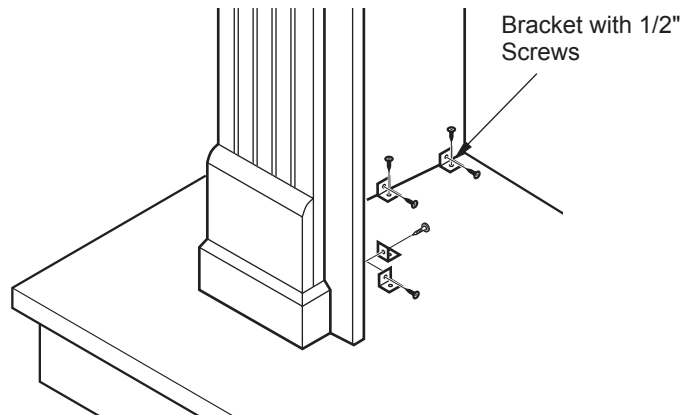


**Figure 6 - Installing Fireplace with Flange**

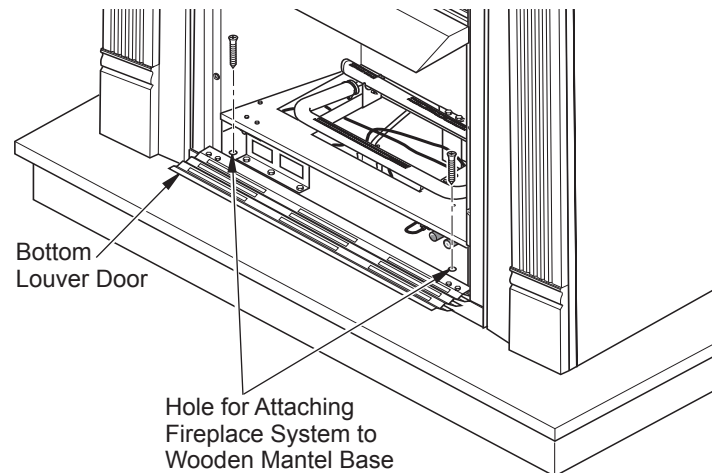
3. Attach mantel to base using 8 brackets and 1/2" screws, 4 per leg assembly into threaded holes in base and leg assembly (see Figure 7).
4. Adjust fireplace so that it fits into mantel opening properly.
5. **Gas fireplace with louver door:** Lower bottom louver door. Use two screws provided in fireplace hardware package and attach fireplace to wooden base (see Figure 8). Close louver door.

**Gas fireplace with fixed louver:** Before installing logs or burner assembly (see owner's manual) remove screws securing floor to assembly. Lift floor for access to bottom of fireplace. Use two screws provided in fireplace hardware package and attach fireplace base to wooden base (see Figure 9, page 4). Reinstall floor with screws removed previously.

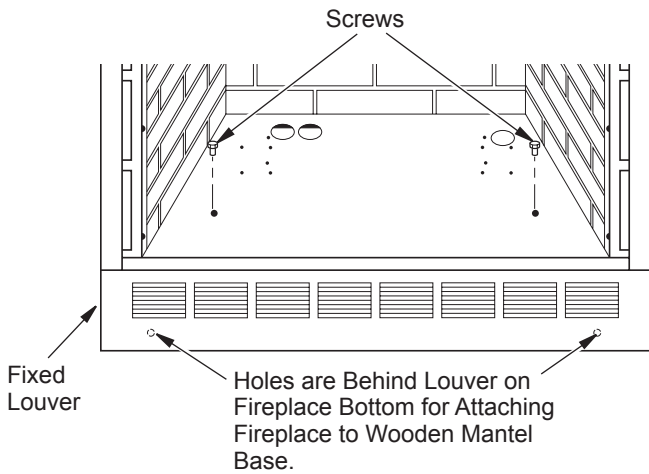
7. If using perimeter trim that came with your mantel and it has not yet been assembled, see *Assembling Perimeter Trim*, page 4. Place metal trim on shoulder screws on fireplace. Firmly snap trim assembly over shoulder screws.
8. Carefully push mantel and base into position against wall.



**Figure 7 - Attaching Mantel Assembly to Mantel Base**



**Figure 8 - Attaching Fireplace to Mantel and Mantel Base**



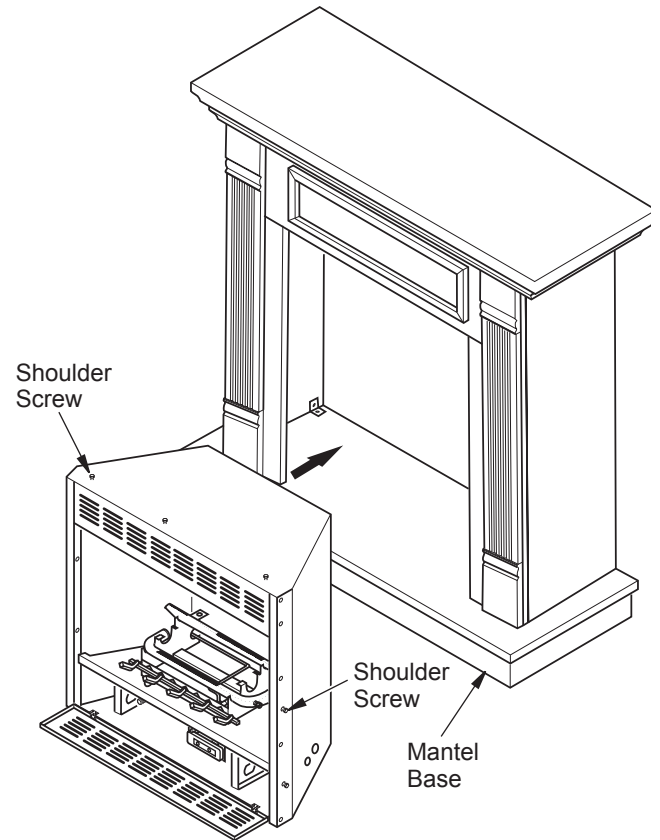
**Figure 9 - Screw Locations for Fireplaces with Fixed Louver**

### INSTALLING FIREPLACE WITHOUT FLANGE

1. Place mantel assembly on wood base and center left to right having back of assembly flush with back of base.
2. Attach mantel to base using 6 brackets and 1/2" screws, 3 per leg assembly into threaded holes in base and leg assembly (see Figure 7, page 3).
3. Position fireplace inside mantel (see Figure 10). Carefully position gas lines. **IMPORTANT:** Use caution when positioning fireplace on base. Base may scratch easily.
4. **Gas fireplace with louver door:** Lower bottom louver door. Use two screws provided in fireplace hardware package and attach fireplace to wooden base (see Figure 8, page 3). Close louver door

**Gas fireplace with fixed louver:** Before installing logs or burner assembly (see owner's manual) remove screws securing floor to assembly. Lift floor for access to bottom of fireplace. Use two screws provided in fireplace hardware package and attach fireplace base to wooden base (see Figure 9). Reinstall floor with screws removed previously.

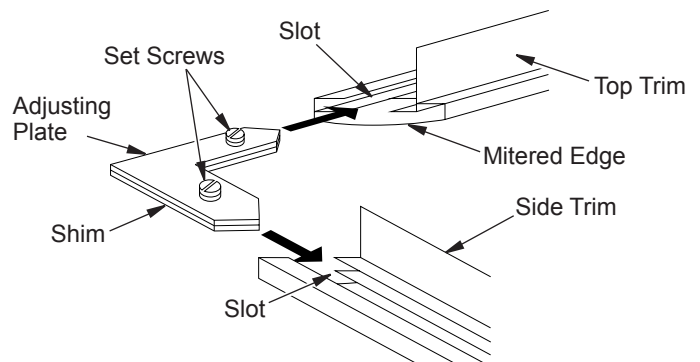
5. Assemble perimeter trim, see *Assembling Perimeter Trim*. Firmly snap trim assembly over shoulder screws on fireplace.
6. Carefully push mantel and base into position against wall.



**Figure 10 - Installing Fireplace without Flange**

### ASSEMBLING PERIMETER TRIM (GAS FIREPLACE ONLY)

1. Remove packaging from three pieces of metal trim.
2. Locate two adjusting plates with set screws, and two shims in the hardware packet.
3. Align shim under adjusting plate as shown in Figure 11.
4. Slide one end of adjusting plate/shim in slot on mitered edge of top trim (see Figure 11).
5. Slide other end of adjusting plate/shim in slot on mitered edge of side trim (see Figure 11).
6. While firmly holding edges of trim together, tighten both set screws on the adjusting plate with slotted screw-driver.
7. Repeat steps 2 through 6 for other corner.



**Figure 11 - Assembling Metal Trim**

**DESA**  
HEARTH PRODUCTS

2701 Industrial Drive  
P.O. Box 90004  
Bowling Green, KY 42102-9004  
1-866-672-6040



121559 01  
NOT A UPC

121559-01  
Rev. A  
04/07